

The weatherproof
daylight system

kobold
by bron



THE DW SYSTEM

Weatherproof, multifunctional, compact

kobold, the world's leading manufacturer of weatherproof (IP 54), multifunctional daylight systems, is rounding out its product line, which now includes the DW200, DW 400, DW 575 and DW 800 fixtures. Compatible ballast units include the EWB 200 and the EWB 400.575.800. The BB 200 ballast is suitable for on-location work. The fixtures can accommodate interchangeable reflectors and many light modifying accessories according to the respective requirements.

Depending on the mounted reflectors or adapters, the DW fixtures are fully-fledged Open Face, PAR, or soft lights, including Litepipe. These conversions are easily made without tools. The innovative bayonet interface also makes it possible to convert the widely spread ETC® Source Four™ into a daylight profile spot. IP 54 weather-resistance complements its unique features, making the DW line the ultimate daylight solution for a variety of applications. The key features of the kobold

range of products include rugged design and maximized reliability even under extreme weather conditions. The kobold daylight system complies with the most stringent safety standards. Electronically monitored safety switches, safety glass or protective cap, hermetically sealed igniter, heat-resistant ceramic UV-safety glass, electronic temperature management, visual verification of power supply and protective earth with LED display and reinforced electrical insulation.



Contents



DW 200	Introduction	05
	The DW 200 system	06
	Technical data	07
	Lamp base, reflectors and accessories	08
	Softbox adapter, Source Four™ and Para	09
	Photometrics and ballast units	10
	broncolor adapter and sets	11



DW 400	Introduction	13
	The DW 400 system	14
	Technical data	15
	Lamp base, reflectors and accessories	16
	Litepipe, Softbox adapter and Para	17
	Photometrics, broncolor adapter and Source Four™	18
	Ballast unit and sets	19



DW 575 800	Introduction	21
	The DW 575 800 system	22
	Technical data	23
	Lamp base, reflectors and accessories	24
	Softbox adapter and ballast unit	25
	Photometrics	26
	Sets	27



Photo by Mario Perez



DW 200 The world's smallest weatherproof daylight fixture.

The extremely compact, focusable 200 watt kobold DW 200 daylight fixture can be fitted with an Open Face reflector, PAR reflector, or an adapter for soft-boxes, just as you require. The selected attachment transforms the fixture into a fully-fledged Open Face, PAR, or soft-diffused source with softbox or lantern. In addition these fixtures can be used with the Para 88 D Kit, Para 170 or Para 220 FB parabolic umbrella reflectors. With a special adapter they can even be used as a daylight source for the ETC® Junior™ and 750 Source Four™ profile spots. The unique bayonet fitting with click-locking mechanism permits fast conversion without tools. The optimised design of the reflectors delivers a high light output and uniform illumination. With the optional adapter you can "crossover" to broncolor flash attachment accessories. Using the ergonomically positioned knob, the focus can be adjusted over the range 14° - 51°. With their solid construction, compact dimensions and maximum operational reliability, these daylight fixtures are

the preferred choice for all applications, whether in the studio or on location. The housing is made of high-strength aluminium and is equipped with a socket for single-ended, high-efficiency HMI/MSR lamps. The igniter is hermetically sealed and allows both cold and hot starts even in wet surroundings. Other important features include low weight, compact dimensions, the elimination of scatter, a heat-resistant, ceramic UV-safety glass, a comprehensive range of accessories and protection class IP 54 (with reflector mounted).

Application spectrum

With appropriate reflectors or adapters, the focusable, weatherproof multipurpose DW 200 fixture can be employed as a fully-fledged Open Face, PAR or area light with a softbox or lantern. Fitted with an Open Face and PAR reflector, it complies with protection class IP 54 and is eminently suitable for all indoor and outdoor broadcast and production applications, even in wet surroundings.

- Multifunctional
- Weatherproof (IP 54)
- Suitable for all indoor and outdoor applications
- High light output
- Optimized stray-light-free accessories
- Uniform illumination
- Constant colour temperature
- Instant hot striking
- Compact and lightweight
- Flicker-free
- Dimmable with kobold electronic ballast units

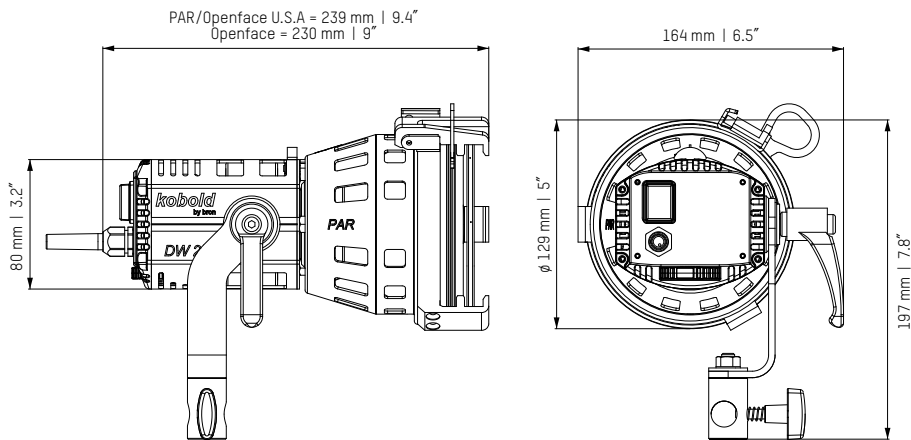
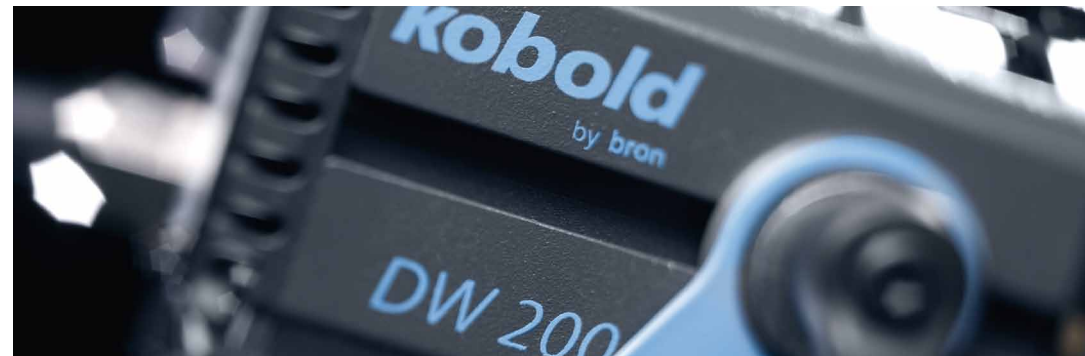
DW200 | The system



- 01 **332-0122** Lamp base DW 200
- 02 **741-0710** Handle with spigot Ø 16 mm | 5/8"
- 03 **742-0624** Head extension cable, 5 m | 16.4 ft
- 04 **742-0150-X** Electronic ballast unit EWB 200
- 05 **741-0700** Stand mount
- 06a **742-0195** Battery ballast unit BB 200/SL3
- 06b **742-0193** Battery ballast unit BB 200/C
- 06c **742-0191** Battery ballast unit BB 200/X
- 07 **633-5455** Lamp 200 W MSR
- 08 **633-5465** Daylight lamp 200 W "all frosted"
- 09 **741-0570** Reflector Open Face
- 10 **741-0571** Reflector PAR
- 11 **741-0752** 4-leaf barn door for Open Face | PAR reflector
- 12a **713-0718** PAR lens super spot ●
- 12b **713-0719** PAR lens medium spot ●
- 12c **713-0720** PAR lens medium wide ●
- 12d **713-0721** PAR lens super wide ●
- 13a **744-0196** Scrim single-half
- 13b **744-0197** Scrim double-half
- 13c **744-0198** Scrim single-full
- 13d **744-0199** Scrim double-full
- 14 **744-0169** Screen ring
- 15 **713-0515** Diffusion filter
- 16 **713-0514** Conversion filter 3200 K
- 17 **713-0544** Fresnel lens
- 18 **763-0312** Bag for 5 lenses or filters
- 19 **744-0298** Softbox adapter for Ø 130 mm | 5" speed rings
- 20 **744-0304** Speed ring Ø 130 mm | 5"
- 21 **743-0200** Pancake lantern, M (89 × 43 cm)
- 22a **743-0102** XXS Softbox Video Pro Chimera (30 × 40 cm)
- 22b **743-0103** XS Softbox Video Pro Chimera (40 × 55 cm)
- 22c **743-0101** S Softbox Video Pro Chimera (60 × 80 cm)
- 22d **743-0100** M Softbox Video Pro Chimera (90 × 120 cm)
- 23 **633-6010** Extension for lamp socket GZY9.5 (200 W)
- 24 **744-0510** HMI adapter for DE/DW 200 for ETC® Source Four™
- 25 **VARIOUS** ETC® Source Four™
- 26 **741-0548** Para 88 D kit
- 27 **744-0522** Adapter for Para 220 FB
- 28a **741-0549** Para 170 FB
- 28b **741-0550** Para 220 FB
- 29 **33.502.00** broncolor adapter
- 30 **VARIOUS** broncolor accessories

DW 200 | Technical data

DW 200	
Lamp output	200 Watt
Lamp socket	GZY 9.5
Focus range with Open Face reflector	14° - 51°
Light output	
Open Face reflector (3 m 9.8 ft)	Spot 8100 lux 753 fc Flood 1675 lux 156 fc
PAR reflector 6° without PAR lens (3 m 9.8 ft)	44940 lux 4175 fc
PAR reflector with super spot lens 11° (3 m 9.8 ft)	● 15040 lux 1397 fc
PAR reflector with medium spot lens 11° × 17° (3 m 9.8 ft)	● 11800 lux 1096 fc
PAR reflector with medium wide lens 19° × 50° (3 m 9.8 ft)	● 2780 lux 258 fc
PAR reflector with super wide lens 56° (3 m 9.8 ft)	● 1080 lux 100 fc
PAR reflector with frosted Fresnel lens 37° (3 m 9.8 ft)	Spot 1285 lux 119 fc Flood 555 lux 52 fc
Safety class	I
Protection degree (with mounted reflector)	IP 54 EN 60529
Dimensions L×W×H (without reflector)	130 × 142 × 142 mm 5.1 × 5.6 × 5.6"
Weight without reflector	1.2 kg 2.7 lbs
Head cable length	5 m 16.4 ft
Stand connection	16 mm 5/8"
Protection class	EN 60529, EN 60598
EC Directives	73/23/CEE, 89/336/CEE



DW200 | Lamp base, reflectors and accessories



Lamp base DW 200

Because of its compact design, this lamp base is the world's smallest 200 W daylight fixture. It is the perfect tool for mobile assignments, thanks to its low weight, versatility, and weather-resistance.

Art. ref.	332-0122
Dimensions	130 × 142 × 142 mm
L × W × H	5.1 × 5.6 × 5.6"
Weight	1.2 kg 2.7 lbs

Accessories

Head extension cable

5 m | 16.4 ft
742-0624



Handle with spigot

Ø 16 mm | 5/8"
741-0710



Reflector Open Face

Structured reflector with even, rotationally symmetric illumination, light control with conversion and diffusion filters.

Art. ref.	741-0570
Dimensions	114 × Ø 140 mm 4.5 × Ø 5.5"
Weight	0.34 kg

Accessories

4-leaf barn door

741-0752



Conversion filter 3200 K

713-0514



Diffusion filter

713-0515



Screen ring

744-0169



Reflector PAR

High light output, narrow beam angle, for direct or bounce lighting, and in conjunction with the PAR lenses when advanced light control is required.

Art. ref.	741-0571
Dimensions	118 × Ø 140 mm 4.6 × Ø 5.5"
Weight	0.35 kg

Accessories

4-leaf barn door

741-0752



Scrims

744-0196 bis
744-0199



PAR Lens Set

713-0546 (4 pieces)



Fresnel Lens

Frosted Fresnel lens for PAR reflector to provide soft diffused and focusable light quality.

Art. ref.	713-0544
Dimensions	13 × Ø 130 mm 0.5 × Ø 5.0"
Weight	0.21 kg 0.46 lb

Accessories

Bag for 5 lenses or filters

763-0312



DW 200 | Softbox adapter, Source Four™ and Para



Softbox adapter

The Softbox adapter and a Speed Ring* can be used to attach a Softbox or lantern. The entire light output of the Softbox is collected. This generates a soft, even light.

*The Speed Ring can also be mounted directly on the Open Face or PAR reflector.

Art. ref.	744-0298
Dimensions L×W×H	79 × 133 × 137 mm 3.1 × 5.2 × 5.4"
Weight	0.27 kg 0.6 lb

Accessories

Chimera Speed Ring
130 mm | 5"
743-U017



Pancake Lantern Chimera
S Chimera Pancake Lantern
743-U020



Softbox Video Pro Chimera

XXS: 743-0102
XS: 743-0103
S: 743-0101
M: 743-0100



ETC® Source Four™

The DW 200 lamp can now be adapted to the world-famous ETC® ellipsoidal. The use of the 3 components shown delivers optimised illumination.

Accessories

HMI adapter
for DE/DW 200
744-0510



Set I	744-0520
HMI adapter DE/DW 200	744-0510
Extension for lamp socket	633-6010

Extension
for lamp socket
633-6010



Set II	744-0521
HMI adapter DE/DW 200	744-0510
Extension for lamp socket	633-6010
Lamp 200 W "all frosted"	633-5465

Lamp 200 W "all frosted"
633-5465



Para 170 FB / 220 FB

The 24 segments of the Para 170 FB / 220 FB not only produce light but also provide creative freedom. Surfaces and shapes of all kind adopt a unique sheen and spring to life.

	Para 170 FB	Para 220 FB
Art. ref.	741-0549	741-0550
Dimensions	Ø 170 × 125 cm	220 × 160 cm
open	Ø 67 × 49"	86 × 63"
Dimensions	Ø 28 × 95 cm	28 × 120 cm
folded	Ø 11 × 37"	11 × 47"
Weight	8.7 kg 19 lbs	9.1 kg 20 lbs

Accessories

Adapter for Para 170/220 FB
744-0522



Tilt head
with crank handle
33.477.00



Light grid for Para 170 FB and 220 FB
on request



Para 88 D kit

The light source is mounted in the centre of the reflector. In spot position you achieve a highly intense, defined illumination. If flood position you create a diffuse, evenly spread illumination.

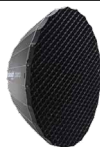
Art. ref.	741-0548
Dimensions open*	Ø 85 × 107 cm 33 × 42"
Dimensions folded*	Ø 32 × 107 cm 12 × 42"
Weight without case	5.9 kg 13 lbs

*Dimensions with focusing system, without stand

Para 88 D Kit consists of
Reflector 24 segments, focus device
Adapter for DW 200/DW 400 and
Soft case with rollers

Accessories

Light grid for Para 88 D kit
744-0173
744-0175: Diffuser 1
744-0176: Diffuser 2
744-0177: Diffuser 3



DW200 | Photometrics and ballast units

Photometrics*



Reflector Open Face 200 W

Distance	Spot 14°	Flood 51°
2 m 6.6 ft	18225 Lux 1693 fc	3769 Lux 350 fc
3 m 9.8 ft	8100 Lux 753 fc	1675 Lux 156 fc
5 m 16.4 ft	2924 Lux 272 fc	605 Lux 56 fc
10 m 32.8 ft	729 Lux 68 fc	151 Lux 14 fc



Reflector PAR 200 W without lens

Distance	Spot 6°
2 m 6.6 ft	100115 Lux 9301 fc
3 m 9.8 ft	44940 Lux 4175 fc
5 m 16.4 ft	16224 Lux 1507 fc
10 m 32.8 ft	4045 Lux 376 fc



PAR 200 W with Fresnel lens

Distance	Spot 37°	Flood 75°
2 m 6.6 ft	2891 Lux 268 fc	1249 Lux 116 fc
3 m 9.8 ft	1285 Lux 119 fc	555 Lux 51 fc
5 m 16.4 ft	464 Lux 43 fc	200 Lux 18 fc
10 m 32.8 ft	116 Lux 11 fc	50 Lux 5 fc



PAR 200 W with super spot lens ●

Distance	Spot 11°
2 m 6.6 ft	33840 Lux 3144 fc
3 m 9.8 ft	15040 Lux 1397 fc
5 m 16.4 ft	5430 Lux 504 fc
10 m 32.8 ft	1354 Lux 126 fc



PAR 200 W with medium spot lens ●

Distance	Spot 11 × 17°
2 m 6.6 ft	26550 Lux 2466 fc
3 m 9.8 ft	11800 Lux 1096 fc
5 m 16.4 ft	4260 Lux 396 fc
10 m 32.8 ft	1062 Lux 99 fc



PAR 200 W with medium wide lens ●

Distance	Spot 19 × 50°
2 m 6.6 ft	6255 Lux 581 fc
3 m 9.8 ft	2780 Lux 258 fc
5 m 16.4 ft	1004 Lux 93 fc
10 m 32.8 ft	250 Lux 23 fc

*All photometric images are an illustrated representation only



PAR 200 W with super wide lens ●

Distance	Spot 56°
2 m 6.6 ft	2430 Lux 226 fc
3 m 9.8 ft	1080 Lux 100 fc
5 m 16.4 ft	390 Lux 36 fc
10 m 32.8 ft	97 Lux 9 fc

EWB 200 Mains-powered ballast unit



The splash proof (IP 43) electronic ballast unit EWB 200 is equipped with an automatic voltage detection circuit rated for 85 to 265 V (50/60 Hz). Even at very high ambient temperatures, the patented temperature management system assures safe and reliable operation.

Art. ref.	742-0150-X
Power output	200 W
Voltage	85 – 265 V AC
Power requirements	235 VA
Power variations	100 – 60% dimming
Safety class**	I
Protection class IP	43

Dimensions L × W × H	235 × 160 × 85 mm 9.2 × 6.3 × 3.3"
Weight	1,7 kg 3.8 lbs
Efficiency	0,89
Power Factor (PFC)	00,95-0,99
	EN 61000-3-2

**additional strengthened insulation for protection according to safety class II

BB 200 Battery ballast units



A

B

C

BB 200/SL3 (A)

with "slide-lock" coupler
742-0195

BB 200/C (B)

with 2 pin S12-plug
742-0193

BB 200/X (C)

with 4 pin XLR-plug
742-0191

Rated output	200 W
Voltage	26 V – 34 V DC
Voltage range	22 V – 25 V
with 24 V battery	maximum output 170 W
Power rating	215 VA

Protection class	II
Protection class IP	20
Dimensions L × W × H	65 × 105 × 165 mm 2.6 × 4.2 × 6.5"
Weight without battery	0.8 kg 1.8 lbs

DW200 | broncolor adapter and sets



broncolor adapter for DW200 and DW400

This multipurpose adapter is both an attachment for a standard Chimera speedring as well as a broncolor Pulso Mount adapter. This adapter allows the use of a wide range of light modifiers for both Chimera and broncolor to open up new lighting possibilities for both still and motion image makers. The adapter provides full UV protection. This adapter is optimized for the DW 400 but is also compatible with the DW 200.

Art. ref.	33.502.00
Dimensions (W×H×D)	183 × 180 × 116 mm (7.2 × 7.0 × 4.5")
Weight	580 g (1.3 lb)
Scope of delivery	broncolor adapter incl. built-in UV safety glass



DW 200 Open Face SET | 332-0051-X

Lamp base DW 200 (without reflector)	332-0122
Lamp 200 W MSR	633-5455
Handle with spigot Ø 16 mm 5/8"	741-0710
Reflector Open Face	741-0570
4-leaf barn door for Open Face PAR reflector	741-0752
Diffusion filter	713-0515

Conversion filter 3200K	713-0514
Screen ring	744-0169
Bag for 5 lenses or filters	763-0312
Electronic ballast unit EWB 200	742-0150-X
Carrying case for DW 200 SET	733-0220



DW 200 PAR SET | 332-0052-X

Lamp base DW 200 (without reflector)	332-0122
Lamp 200 W MSR	633-5455
Handle with spigot Ø 16 mm 5/8"	741-0710
Reflector PAR	741-0571
4-leaf barn door for Open Face PAR reflector	741-0752

Set of PAR lenses, 4 pieces (NSP, MFL, WFL, VWFL)	713-0546
Bag for 5 lenses or filters	763-0312
Electronic ballast unit EWB 200	742-0150-X
Carrying case for DW 200 SET	733-0220



DW 200 AC/DC Softlight SET | 332-0053-X

Lamp base DW 200 (without reflector)	332-0122
Lamp 200 W MSR	633-5455
Handle with spigot Ø 16 mm 5/8"	741-0710
Reflector Open Face	741-0570
4-leaf barn door for Open Face PAR reflector	741-0752
Diffusion filter	713-0515
Conversion filter 3200K	713-0514

Screen ring	744-0169
Bag for 5 lenses or filters	763-0312
Electronic ballast unit EWB 200	742-0150-X
Speed ring Ø 130 mm 5"	744-0304
Softbox "Video Pro XXS" 30 × 40 cm 12 × 16"	743-0102
Battery ballast unit BB 200/X	742-0191
Carrying case for DW 200 AC/DC SET	733-0222



kobold
by von

DW 400

OpenFace

DW 400

An all-purpose lamp

The extremely compact, focusable 400 watt kobold DW 400 daylight fixture can be fitted with various reflectors or adapters for softboxes, according to your needs. The selected attachment transforms the fixture into a fully-fledged Open Face, PAR, or soft-diffused source. These fixtures can also be used with the Para 88 D Kit, Para 170 FB or Para 220 FB parabolic umbrella reflectors. And a new, folding "litepipe" has just been added to the range. The fixtures can even be used as a daylight source for the ETC® Junior™ and 750 Source Four™ profile spots. With the special adapter you can "crossover" to broncolor flash attachment accessories. The click-locking mechanism permits fast conversion without tools. The optimised design of the reflectors delivers a high light output and uniform illumination. With their solid construction, compact dimensions and maximum operational reliability, these fixtures are the preferred choice for all applications, whether in the studio or on location. The housing is made of high-strength aluminium and is equipped with

a socket for single-ended, high-efficiency HMI/MSR lamps. The igniter is hermetically sealed and allows both cold and hot starts even in wet surroundings. Other important features include low weight, compact dimensions, the elimination of scatter, a heat-resistant, ceramic UV-safety glass, a comprehensive range of accessories and protection class IP 54 (with reflector mounted).

Application spectrum

Depending on the requirements, the focusable, weatherproof multipurpose DW 400 fixture can be employed as a fully-fledged Open Face, PAR or area light with a softbox or lantern, or as a light source for ETC® Junior™ and 750 Source Four™ profile spot. Fitted with an Open Face and PAR reflector, it complies with protection class IP 54 and is eminently suitable for all indoor and outdoor broadcast and production applications, even in wet surroundings.

- Multifunctional
- Weatherproof (IP 54)
- Suitable for all indoor and outdoor applications
- High light output
- Optimized stray-light-free accessories
- Uniform illumination
- Constant colour temperature
- Instant hot striking
- Compact and lightweight
- Dimmable with kobold electronic ballast unit

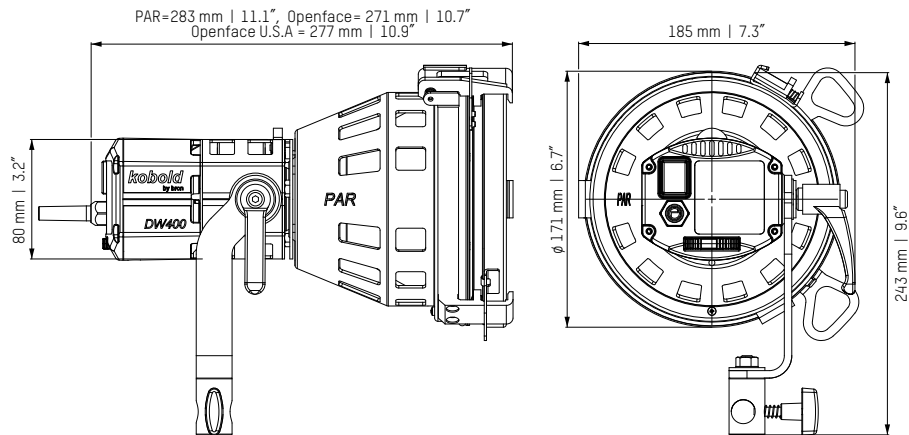
DW 400 | The system



- 01 **332-0145** Lamp base DW 400
- 02 **741-0710** Handle with spigot Ø 16 mm | 5/8"
- 03a **744-0358** Head extension cable, 5 m | 16.4 ft
- 03b **742-0631** Head extension cable, 10 m | 32.8 ft
- 04 **742-0160-X** Electronic ballast unit EWB 400.575.800
- 05 **741-0700** Stand mount
- 06 **633-5456** Lamp 400 W MSR
- 07 **633-5459** Daylight lamp 400, UV protected
- 08 **633-5461** Daylight lamp 400 W "all frosted" UV protected
- 09 **741-0597** Reflector Open Face
- 10 **741-0599** Reflector PAR
- 11 **741-0531** Litepipe
- 12 **741-0754** 4-leaf barn door for Open Face | PAR reflector
- 13a **713-0741** PAR lens super spot ●
- 13b **713-0742** PAR lens medium spot ●
- 13c **713-0743** PAR lens medium wide ●
- 13d **713-0744** PAR lens super wide ●
- 14 **744-0185** Scrim ring
- 15a **744-0188** Scrim single-half
- 15b **744-0189** Scrim double-half
- 15c **744-0190** Scrim single-full
- 15d **744-0191** Scrim double-full
- 16 **744-0167** Screen ring
- 17 **713-0746** Diffusion filter
- 18 **713-0747** Conversion filter 3200K
- 19 **713-0745** Fresnel lens
- 20 **763-0318** Bag for 5 lenses or filters
- 21 **744-0299** Softbox adapter for Ø 170 mm | 6 5/8" speed rings
- 22 **744-0305** Speed ring Ø 170 mm | 6 5/8"
- 23 **743-0200** Pancake lantern, Chimera, M (89 × 43 cm)
- 24a **743-0102** XXS Softbox Video Pro Chimera (30 × 40 cm)
- 24b **743-0103** XS Softbox Video Pro Chimera (40 × 55 cm)
- 24c **743-0101** S Softbox Video Pro Chimera (60 × 80 cm)
- 24d **743-0100** M Softbox Video Pro Chimera (90 × 120 cm)
- 25 **633-6011** Extension for lamp socket GZZ 9.5 (400 W)
- 26 **744-0511** HMI adapter DE/DW 400 for ETC® Source Four™
- 27 **VARIOUS** ETC® Source Four™
- 28 **741-0548** Para 88 D kit
- 29 **744-0522** Adapter for Para 220 FB
- 30a **741-0549** Para 170 FB
- 30b **741-0550** Para 220 FB
- 31 **33.502.00** broncolor adapter
- 32 **VARIOUS** broncolor accessories

DW 400 | Technical data

DW 400	
Lamp output	400 Watt
Lamp socket	GZZ 9.5
Focus range with Open Face reflector	15° - 45°
Light output	
Open Face reflector (3 m 9.8 ft)	Spot 19200 lux 1784 fc Flood 3400 lux 316 fc
PAR reflector 5° without PAR lens (3 m 9.8 ft)	133000 lux 12356 fc
PAR reflector with super spot lens 8° (3 m 9.8 ft)	● 66000 lux 6132 fc
PAR reflector with medium spot lens 12° × 28° (3 m 9.8 ft)	● 15500 lux 1440 fc
PAR reflector with medium wide lens 20° × 50° (3 m 9.8 ft)	● 5800 lux 539 fc
PAR reflector with super wide lens 55° (3 m 9.8 ft)	● 2280 lux 212 fc
PAR reflector with frosted Fresnel lens 38° (3 m 9.8 ft)	Spot 2200 lux 204 fc Flood 1040 lux 97 fc
Safety class	
Protection degree (with mounted reflector)	IP 54
Dimensions L×W×H (without reflector)	139 × 142 × 167 mm 5.5 × 5.6 × 6.6"
Weight without reflector	1.35 kg 3 lbs
Head cable length	6 m 19.7 ft
Stand connection	16 mm 5/8"
Protection class	EN60529, EN60598, EN61347
EC Directives	2006/95EEC, 2004/108EEC, 96EEC, 95/EEC



DW 400 | Lamp base, reflectors and accessories



Lamp base DW 400

The new DW 400 lamp base was designed in response to ENG and production unit requirements. The light yield is comparable with a 1200 - 1400 W halogen lamp but with only ¼ of the power consumption.

Art. ref.	332-0145
Dimensions	139 × 142 × 167 mm
L × W × H	5.5 × 5.6 × 6.6"
Weight	1.35kg 3 lbs

Accessories

Head extension cable

5 m | 16.4 ft: 744-0358
10 m | 32.8 ft: 742-0631



Handle with spigot

Ø 16 mm | 5/8"
741-0710



Reflector Open Face

Structured reflector with even, rotationally symmetric illumination, light control with conversion and diffusion filters.

Art. ref.	741-0597
Dimensions	146 × Ø 185 mm 5.8 × Ø 7.3"
Weight	0.65 kg 1.4 lbs

Accessories

4-leaf barn door

741-0754



Conversion filter 3200 K

713-0747



Diffusion filter

713-0746



Screen ring

744-0167



Reflector PAR

High light output, narrow beam angle, for direct or bounce lighting, and in conjunction with the PAR lenses when advanced light control is required.

Art. ref.	741-0599
Dimensions	158 × Ø 185 mm 6.2 × Ø 7.3"
Weight	0.68 kg 1.5 lbs

Accessories

4-leaf barn door

741-0754



Scrim Ring

744-0185



PAR Lens Set

713-0740 (4 pieces)



Scrims

744-0188 - 744-0191



Fresnel Lens

Frosted Fresnel lens for PAR reflector to provide soft diffused and focusable light quality.

Art. ref.	713-0745
Dimensions	Ø 170 mm Ø 6 5/8"
Weight	0.34 kg 0.8 lb

Accessories

Bag for 5 lenses or filters

763-0318



DW 400 | Litepipe, Softbox adapter and Para



Litepipe

The Litepipe is a light tube which is collapsible and can be rolled up. It is used to convert a narrow light beam of a PAR lamp into a soft, homogeneous, linear light source with a relatively low generation of heat at high light output. The high quality 0.5 mm, strong, polycarbonate extrusion foil has a fine matt surface on one side, and offers absolutely neutral colour and even light distribution. A removable textile screen reflector enables a coverage angle of alternatively 180° or 360°.

Art. ref.	741-0531
Size open	∅ 170 × 1150 mm 6.7 × 45"
Size rolled up	∅ 180 × 530 mm 7.1 × 20.8"
Size with case	580 × 220 × 220 mm (L×W×H) 22.8 × 8.6 × 8.6"
Weight	1.4 kg 3.1 lbs
Weight with case	3.0 kg 6.6 lbs



Softbox adapter

A Softbox or a lantern can be mounted with the Softbox adapter and a Speed Ring. The entire light output of the Softbox is collected. This generates a soft, even light.

*The Speed Ring can also be mounted directly on the Open Face or PAR reflector.

Art. ref.	744-0299
Dimensions L×W×H	114 × 188 × 188 mm 4.5 × 7.4 × 7.4"
Weight	0.61 kg 1.3 lbs

Accessories

Chimera Speed Ring

170 mm | 6 5/8"
743-U006



Pancake Lantern Chimera

S Chimera Pancake Lantern
743-U017



Softbox Video Pro Chimera

XXS: 743-0102
XS: 743-0103
S: 743-0101
M: 743-0100



Para 170 FB / 220 FB

The 24 segments of the Para 170 FB / 220 FB not only produce light but also provide creative freedom. Surfaces and shapes of all kind adopt a unique sheen and spring to life.

Caution: 400 W lamp base must be operated with UV protected lamps.

	Para 170 FB	Para 220 FB
Art. ref.	741-0549	741-0550
Dimensions	∅ 170 × 125 cm	220 × 160 cm
open	∅ 67 × 49"	86 × 63"
Dimensions	∅ 28 × 95 cm	28 × 120 cm
folded	∅ 11 × 37"	11 × 47"
Weight	8.7 kg 19 lbs	9.1 kg 20 lbs

Accessories

Adapter for Para 170/220 FB

744-0522



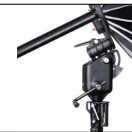
Lamp 400 W, UV protected

633-5459



Tilt head

with crank handle
33.477.00



Light grid for Para
170 FB and 220 FB
on request



Para 88 D kit

The light source is mounted in the centre of the reflector. In spot position you achieve a highly intense, defined illumination. In flood position you create a diffuse, evenly spread illumination.

Art. ref.	741-0548
Dimensions open*	∅ 85 × 107 cm 33 × 42"
Dimensions folded*	∅ 32 × 107 cm 12 × 42"
Weight without case	5.9 kg 13 lbs

*Dimensions with focusing system, without stand

Para 88 D Kit consists of

Reflector 24 segments, focus device
Adapter for DW 200 / DW 400 and
Soft case with rollers

Accessories

Light grid for Para 88 D kit

744-0173
744-0175: Diffuser 1
744-0176: Diffuser 2
744-0177: Diffuser 3



DW 400 | Photometrics, broncolor adapter and Source Four™

Photometrics*



Reflector Open Face 400 W

Distance	Spot 15°	Flood 45°
2 m 6.6 ft	43200 Lux 4013 fc	7650 Lux 711 fc
3 m 9.8 ft	19200 Lux 1784 fc	3400 Lux 316 fc
5 m 16.4 ft	6912 Lux 642 fc	1224 Lux 114 fc
10 m 32.8 ft	1728 Lux 160 fc	306 Lux 28 fc



Reflector PAR 400 W without lens

Distance	Spot 5°
2 m 6.6 ft	299250 Lux 27801 fc
3 m 9.8 ft	133000 Lux 12356 fc
5 m 16.4 ft	47880 Lux 4448 fc
10 m 32.8 ft	11970 Lux 1112 fc



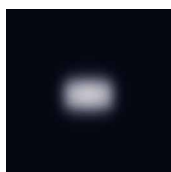
PAR 400 W with Fresnel lens

Distance	Spot 38°	Flood 68°
2 m 6.6 ft	4950 Lux 460 fc	2340 Lux 217 fc
3 m 9.8 ft	2200 Lux 204 fc	1040 Lux 97 fc
5 m 16.4 ft	792 Lux 73 fc	374 Lux 35 fc
10 m 32.8 ft	198 Lux 18 fc	94 Lux 9 fc



PAR 400 W with super spot lens ●

Distance	Spot 8°
2 m 6.6 ft	148500 Lux 13796 fc
3 m 9.8 ft	66000 Lux 6132 fc
5 m 16.4 ft	23760 Lux 2207 fc
10 m 32.8 ft	5940 Lux 552 fc



PAR 400 W with medium spot lens ●

Distance	Spot 12 × 28°
2 m 6.6 ft	34875 Lux 3240 fc
3 m 9.8 ft	15500 Lux 1440 fc
5 m 16.4 ft	5580 Lux 518 fc
10 m 32.8 ft	1395 Lux 130 fc



PAR 400 W with medium wide lens ●

Distance	Spot 20 × 50°
2 m 6.6 ft	13050 Lux 1212 fc
3 m 9.8 ft	5800 Lux 539 fc
5 m 16.4 ft	2088 Lux 194 fc
10 m 32.8 ft	522 Lux 48 fc

*All photometric images are an illustrated representation only



PAR 400 W with super wide lens ●

Distance	Spot 55°
2 m 6.6 ft	5130 Lux 477 fc
3 m 9.8 ft	2280 Lux 212 fc
5 m 16.4 ft	821 Lux 76 fc
10 m 32.8 ft	205 Lux 19 fc



broncolor adapter for DW200 and DW400

This multipurpose adapter is both an attachment for a standard Chimera speeding as well as a broncolor Pulso Mount adapter. This adapter allow the use of a wide range of light modifiers form both Chimera and broncolor to open up new lighting possibilities for both still and motion image makers. The adapter provides full UV protection. This adapter is optimized for the DW 400 but is also compatible with the DW 200.

Art. ref.	33.502.00
Dimensions (W×H×D)	183 × 180 × 116 mm (7.2 × 7.0 × 4.5")
Weight	580 g (1.3 lb)
Scope of delivery	broncolor adapter incl. built-in UV safety glass



ETC® Source Four™

The DW 200 lamp can now be adapted to the world-famous ETC® ellipsoidal. The use of the 3 components shown delivers optimized illumination.

Caution: 400 W lamp base must be operated with UV protected lamps.

Accessories

HMI adapter
for DE/DW 400
744-0511



Set I **744-0524**
HMI adapter DE/DW 400 744-0511
Extension for lamp socket 633-6011

Extension
for lamp socket
633-6011



Set II **744-0523**
HMI adapter DE/DW 400 744-0511
Extension for lamp socket 633-6011
Lamp 400 W "all frosted" 633-5461

Lamp 400 W "all frosted"
UV protected
633-5461



DW 400 | Ballast unit and Sets



EWB 400.575.800

Art. ref.	742-0160-X
Power output	400 W 575 W 800 W
Voltage	85 – 265 V AC
Power requirements	460 VA 640 VA 900 VA
Power variations	100% – 60% dimming

** additional strengthened insulation for protection according to safety class II

Safety class*	I
Dimensions L x W x H	267 × 184 × 112 mm 10.5 × 7.2 × 4.4"
Weight	2.6 kg 5.7 lbs
Efficiency	0,9
Power Factor (PFC)	0.96–0.99/EN 61000-3-2

- Flicker-free operation
- Splashwater protection (IP 43)
- Doubled safety due to reinforced insulation and protective earth
- Automatic heater for fast ready times
- Controlled, constant output for consistent light quality
- High reliability due to electronic monitoring system
- Patented temperature management
- High efficiency - 90%
- Light weight and compact design
- Power factor control (PFC)
- Automatic voltage recognition 85V – 265 V
- Automatic lamp detection



DW 400 Open Face SET | 332-0054-X

Lamp base DW 400 (without reflector)	332-0145
Lamp 400 W MSR	633-5456
Reflector Open Face	741-0597
4-leaf barn door for Open Face PAR reflector	741-0754
Diffusion filter	713-0746

Conversion filter 3200K	713-0747
Screen ring	744-0167
Bag for 5 lenses or filters	763-0318
Electronic ballast unit EWB 400.575.800	742-0160-X
Carrying case for DW 400 SET	733-0223



DW 400 PAR SET | 332-0055-X

Lamp base DW 400 (without reflector)	332-0145
Lamp 400 W MSR	633-5456
Reflector PAR	741-0599
4-leaf barn door for Open Face PAR reflector	741-0754
Set of PAR lenses, 4 pieces (NSP, MFL, WFL, VWFL)	713-0740

Scrim ring	744-0185
Bag for 5 lenses or filters	763-0318
Electronic ballast unit EWB 400.575.800	742-0160-X
Carrying case for DW 400 SET	733-0223



kobold
by bron

DW-800

Open Face

DW 575 | DW 800 Lots of light in wind and weather.

The DW 575 and DW 800 is a focusable multifunctional kobold 575/800 watt daylight fixture, and can be equipped with a wide range of reflectors to meet any need. The selected attachment transforms the lamp base into a full-fledged PAR, Open Face, or soft diffused source with the softbox adapter. Thanks to a click-lock mechanism, the conversion is fast and requires no tools. The optimized design of the reflectors deliver high light outputs and uniformity of illumination. The ergonomically positioned knob allows focusing from 12 – 70° with the Open Face reflector. This daylight fixture features a rugged design, compact dimensions, and maximized operating reliability, both indoors and outdoors. The housing is made of high-strength aluminium and has an

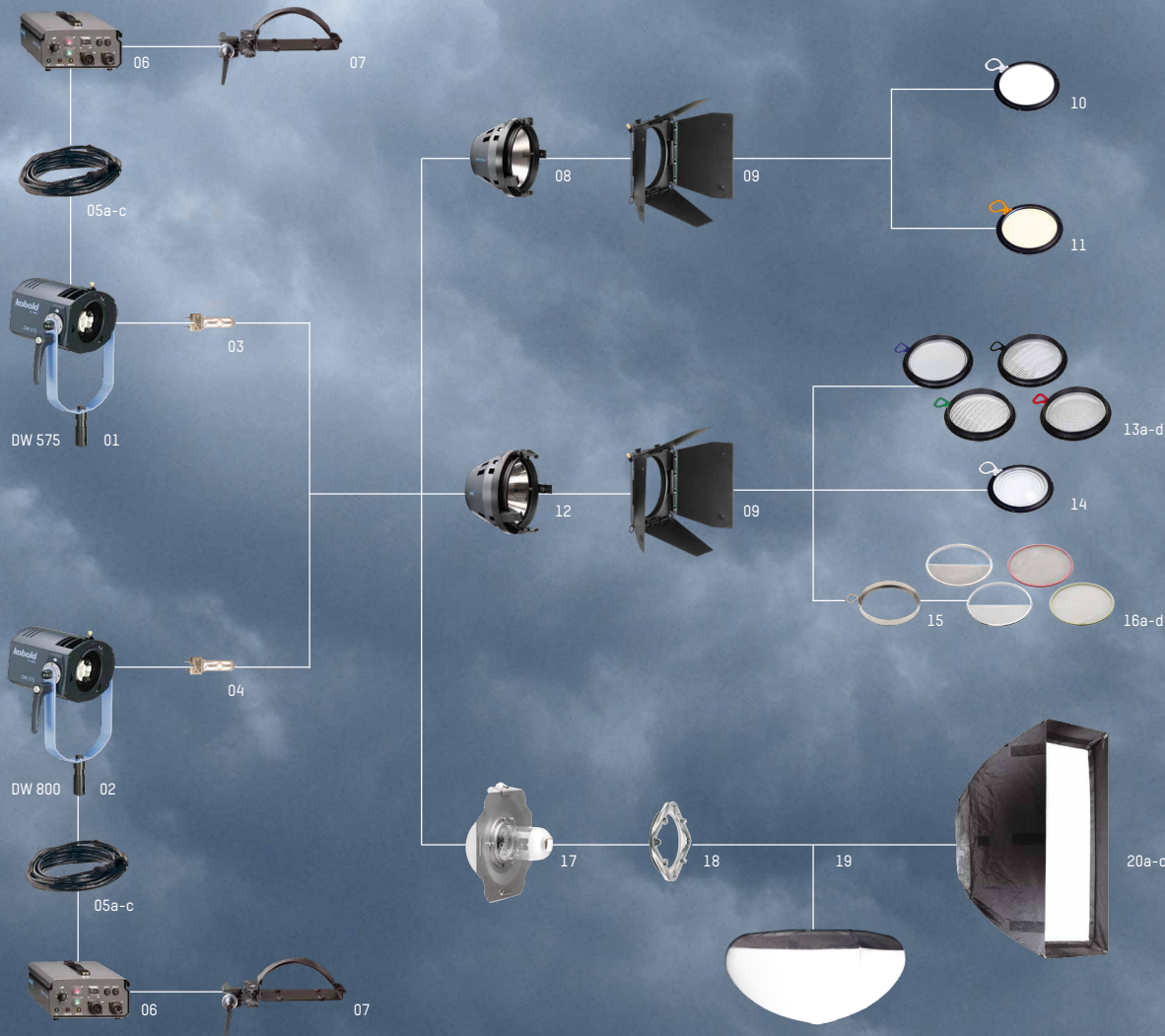
interlocked socket for single-ended, high-efficiency HMI/HR lamps. The igniter is hermetically sealed to allow cold and hot starts even in wet surroundings. Other features include low weight, stray-light-free reflector accessories, heat-resistant ceramic UV safety glass, protection class IP 54.

Application spectrum

With appropriate reflectors or adapter, the focusable, weatherproof multipurpose fixtures can be employed as a fully-fledged Open Face, PAR, Fresnel lens or area light with a softbox or lantern. It complies with protection class IP 54 and is eminently suitable for all indoor and outdoor broadcast and production applications.

- Multifunctional
- Weatherproof (IP 54)
- Suitable for all indoor and outdoor applications
- High light output
- Large focusing range
- Optimized stray-light-free accessories
- Uniform illumination
- Constant colour temperature
- Instant hot striking
- Attractive weight/output ratio
- Dimmable with kobold electronic ballast unit

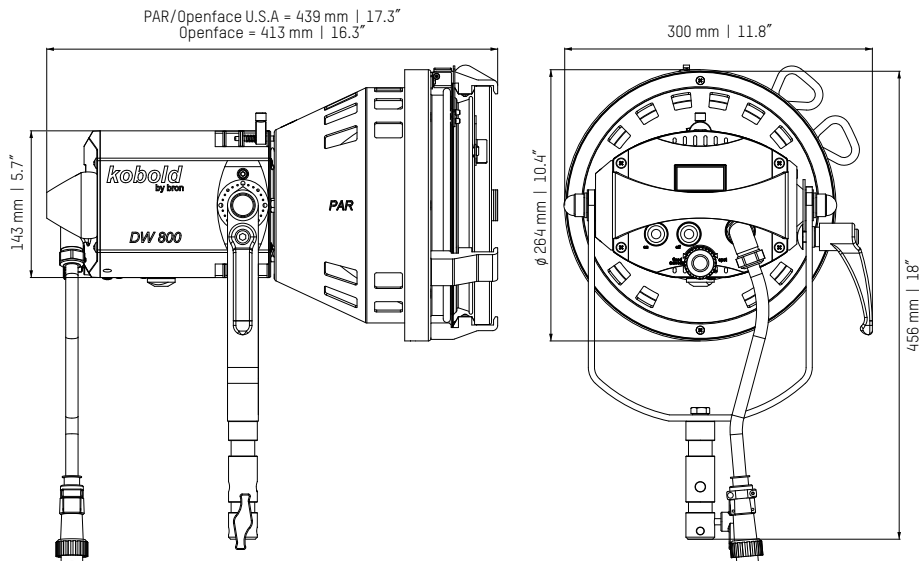
DW575 | DW800 | The system



- 01 **332-0107** Lamp base DW 575
- 02 **332-0108** Lamp base DW 800
- 03 **633-5450** Lamp 575 W MSR
- 04 **633-7407** Lamp 800 W CSR
- 05a **742-0599** Head cable 7.5 m | 25 ft
- 05b **742-0602** Head extension cable 10 m | 32.5 ft
- 05c **742-0635** Head extension cable 20 m | 65 ft
- 06 **742-0160-X** Electronic ballast unit EWB 400.575.800
- 07 **741-0700** Stand mount
- 08 **741-0590** Reflector Open Face
- 09 **741-0731** 4-leaf barn door for Open Face | PAR reflector
- 10 **713-0496** Diffusion filter
- 11 **713-0497** Conversion filter 3200 K
- 12 **741-0576** Reflector PAR
- 13a **713-0710** PAR lens super spot ●
- 13b **713-0711** PAR lens medium spot ●
- 13c **713-0712** PAR lens medium wide ●
- 13d **713-0713** PAR lens super wide ●
- 14 **713-0534** Fresnel lens
- 15 **744-0168** Scrim ring
- 16a **744-0209** Scrim single-half
- 16b **744-0210** Scrim double-half
- 16c **744-0211** Scrim single-full
- 16d **744-0212** Scrim double-full
- 17 **744-0300** Softbox adapter for Ø 230 mm | 9" speed rings
- 18 **744-0302** Speed ring Ø 230 mm | 9"
- 19 **743-0200** Pancake lantern, M (89 × 43 cm)
- 20a **743-0103** XS Softbox Video Pro Chimera (40 × 55 cm)
- 20b **743-0101** S Softbox Video Pro Chimera (60 × 80 cm)
- 20c **743-0100** M Softbox Video Pro Chimera (90 × 120 cm)

DW 575 | DW 800 | Technical data

	DW 575	DW 800
Lamp output	575 Watt	800 Watt
Lamp socket	G22	G22
Focus range with Open Face reflector	12° - 70°	12° - 70°
Light output		
Open Face reflector (3 m 9.8 ft)	Spot 36620 lux 3402 fc Flood 2420 lux 225 fc	Spot 56200 lux 5221 fc Flood 4000 lux 372 fc
PAR reflector without PAR lens (3 m 9.8 ft)	274000 25084 fc	320000 lux 29728 fc
PAR reflector with super spot lens (3 m 9.8 ft)	● 99500 lux 9244 fc	135100 lux 12550 fc
PAR reflector with medium spot lens (3 m 9.8 ft)	● 33100 lux 3075 fc	50500 lux 4692 fc
PAR reflector with medium wide lens (3 m 9.8 ft)	● 7500 lux 697 fc	12000 lux 1115 fc
PAR reflector with super wide lens (3 m 9.8 ft)	● 2880 lux 268 fc	4590 lux 426 fc
PAR reflector with Fresnel lens (3 m 9.8 ft)	Spot 2900 lux 270 fc Flood 1640 lux 152 fc	Spot 4550 lux 423 fc Flood 2420 lux 225 fc
Safety class		
Protection degree (with mounted reflector)	IP 54	IP 54
Dimensions L×W×H (without reflector)	226×300×415 mm 9×12×16"	226×300×415 mm 9×12×16"
Weight without reflector	3.9 kg 8.6 lbs	3.9 kg 8.6 lbs
Head cable length	0.6 m 2 ft	0.6 m 2 ft
Stand connection	28 mm 1 1/8" spigot with 16 mm 5/8" hole	



DW575 | DW800 | Lamp base, reflectors and accessories



Lamp base DW 575 | DW800

The DW 800 is the most powerful light source in the DW line. It is the ultimate solution for sets that need light. And it delivers the light with minimum effort. Nothing is left to chance with respect to multifunctional flexibility and weather-resistance.

Art. ref. DW 575	332-0107
Art. ref. DW 800	332-0108
Dimensions L x W x H	226 x 300 x 415 mm 9 x 12 x 16"
Weight	3.9 kg 8.6 lbs

Accessories

Head cable

7.5 m | 25 ft
742-0599



Head extension cable

10 m | 32.8 ft: 742-0602
20 m | 65 ft: 742-0635



Reflector Open Face

Structured reflector with even, rotationally symmetric illumination, light control with conversion and diffusion filters.

Art. ref.	741-0590
Dimensions	Ø 264 x 229 mm Ø 10.4 x 9"
Weight	1.85 kg 4.1 lbs

Accessories

4-leaf barn door

741-0731



Conversion filter 3200 K

713-0497



Diffusion filter

713-0496



Reflector PAR

High light output, narrow beam angle, for direct or bounce lighting, and in conjunction with the PAR lenses when advanced light control is required.

Art. ref.	741-0576
Dimensions	Ø 264 x 229 mm Ø 10.4 x 9"
Weight	2.1 kg 4.6 lbs

Accessories

4-leaf barn door

741-0731



Scrim Ring

744-0168



PAR Lens Set

713-0527 (4 pieces)



Scrim

744-0209 - 744-0212



Fresnel Lens

Frosted Fresnel lens for PAR reflector to provide soft diffused and focusable light quality.

Art. ref.	713-0534
Dimensions	Ø 238 mm Ø 9.4"
Weight	0.6 kg 1.3 lbs

DW575 | DW800 | Softbox adapter and ballast unit



Softbox Adapter

A Softbox or a lantern can be mounted with the Softbox adapter and a Speed Ring. The entire light output of the Softbox is collected. This generates a soft, homogeneous light.

*The Speed Ring can also be mounted directly on the Open Face or PAR reflector.

Art. ref.	744-0300
Dimensions	Ø 235 × 145 mm Ø 9.3 × 5.7"
Weight	0.7 kg 1.5 lbs

Accessories

Speed Ring

230 mm | 9"
744-0302



Pancake Lantern Chimera

M: (Ø 89 × 43 cm)
Ø 35 × 17" with skirt
743-0200



Softbox Video Pro Chimera

XS: 743-0103
S: 743-0101
M: 743-0100



Electronic ballast unit

The extremely compact electronic multipower ballast unit features automatic lamp detection to allow the highly convenient operation of 400 W, 575 W and 800 W daylight lamp bases (plug and play).

kobold splashwater-protected (IP 43) EWB ballast unit is equipped with an automatic voltage detection circuit for ratings from 85 to 265 V (50/60 Hz). Even at very high ambient temperatures, the patented temperature management system assures safe and reliable operation.

- Flicker-free operation
- Splashwater protection (IP 43)
- Doubled safety due to reinforced insulation and protective earth
- Automatic heater for fast ready times
- Controlled, constant output for consistent light quality
- High reliability due to electronic monitoring system
- Patented temperature management
- Light weight and compact design
- High efficiency ~ 90%
- Power factor control (PFC)
- Automatic voltage recognition 85 - 265 V
- Automatic lamp detection

EWB 400.575.800

Art. ref.	742-0160-X
Power output	400 W 575 W 800 W
Voltage	85 - 265 V AC
Power requirements	460 VA 640 VA 900 VA
Power variations	100% - 60% dimming
Safety class*	I
Dimensions L × W × H	267 × 184 × 112 mm 10.5 × 7.2 × 4.4"
Weight	2.6 kg 5.7 lbs
Efficiency	0,9
Power Factor (PFC)	0.96-0.99/EN 61000-3-2

*additional strengthened insulation for protection according to safety class II

Photometrics*



Reflector Open Face 800 W

Distance	Spot 12°	Flood 70°
3 m 9.8 ft	56200 Lux 5221 fc	4000 Lux 372 fc
5 m 16.4 ft	20200 Lux 1877 fc	1430 Lux 133 fc
10 m 32.8 ft	5060 Lux 470 fc	360 Lux 33 fc
15 m 49.2 ft	2250 Lux 209 fc	160 Lux 15 fc



Reflector PAR 800 W without lens

Distance	Spot 5°
3 m 9.8 ft	320000 Lux 29729 fc
5 m 16.4 ft	115000 Lux 10684 fc
10 m 32.8 ft	28880 Lux 2676 fc
15 m 49.2 ft	12800 Lux 1189 fc



PAR 800 W with Fresnel lens

Distance	Spot 44°	Flood 71°
3 m 9.8 ft	4550 Lux 423 fc	2420 Lux 225 fc
5 m 16.4 ft	1640 Lux 152 fc	870 Lux 81 fc
10 m 32.8 ft	410 Lux 38 fc	220 Lux 20 fc
15 m 49.2 ft	182 Lux 17 fc	100 Lux 9 fc

Reflector Open Face 575 W

Distance	Spot 12°	Flood 70°
3 m 9.8 ft	36200 Lux 3402 fc	2420 Lux 225 fc
5 m 16.4 ft	13200 Lux 1226 fc	870 Lux 81 fc
10 m 32.8 ft	3300 Lux 307 fc	220 Lux 80 fc
15 m 49.2 ft	1470 Lux 137 fc	100 Lux 9 fc

Reflector PAR 575 W without lens

Distance	Spot 4°
3 m 9.8 ft	274000 Lux 25455 fc
5 m 16.4 ft	100000 Lux 9290 fc
10 m 32.8 ft	24640 Lux 2289 fc
15 m 49.2 ft	11000 Lux 1022 fc

PAR 575 W with Fresnel lens

Distance	Spot 44°	Flood 71°
3 m 9.8 ft	2900 Lux 269 fc	1640 Lux 152 fc
5 m 16.4 ft	1040 Lux 97 fc	590 Lux 55 fc
10 m 32.8 ft	260 Lux 24 fc	150 Lux 14 fc
15 m 49.2 ft	115 Lux 11 fc	65 Lux 6 fc



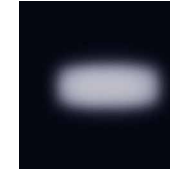
PAR 800 W with super spot lens ●

Distance	Spot 9°
3 m 9.8 ft	135100 Lux 12551 fc
5 m 16.4 ft	48640 Lux 4519 fc
10 m 32.8 ft	12160 Lux 1130 fc
15 m 49.2 ft	5400 Lux 502 fc



PAR 800 W with medium spot lens ●

Distance	Spot 14 × 24°
3 m 9.8 ft	50500 Lux 4692 fc
5 m 16.4 ft	18180 Lux 1689 fc
10 m 32.8 ft	4540 Lux 422 fc
15 m 49.2 ft	2020 Lux 188 fc



PAR 800 W with medium wide lens ●

Distance	Spot 21 × 60°
3 m 9.8 ft	12000 Lux 1115 fc
5 m 16.4 ft	4320 Lux 401 fc
10 m 32.8 ft	1080 Lux 100 fc
15 m 49.2 ft	480 Lux 44 fc

PAR 575 W with super spot lens ●

Distance	Spot 10°
3 m 9.8 ft	99500 Lux 9244 fc
5 m 16.4 ft	35840 Lux 3330 fc
10 m 32.8 ft	8960 Lux 832 fc
15 m 49.2 ft	3980 Lux 370 fc

PAR 575 W with medium spot lens ●

Distance	Spot 14 × 28°
3 m 9.8 ft	33100 Lux 3075 fc
5 m 16.4 ft	11900 Lux 1105 fc
10 m 32.8 ft	2980 Lux 277 fc
15 m 49.2 ft	1320 Lux 123 fc

PAR 575 W with medium wide lens ●

Distance	Spot 26 × 60°
3 m 9.8 ft	7500 Lux 697 fc
5 m 16.4 ft	2690 Lux 250 fc
10 m 32.8 ft	670 Lux 62 fc
15 m 49.2 ft	300 Lux 28 fc



PAR 800 W with super wide lens ●

Distance	Spot 66°
3 m 9.8 ft	4590 Lux 426 fc
5 m 16.4 ft	1650 Lux 153 fc
10 m 32.8 ft	413 Lux 38 fc
15 m 49.2 ft	183 Lux 17 fc



PAR 575 W with super wide lens ●

Distance	Spot 67°
3 m 9.8 ft	2280 Lux 267 fc
5 m 16.4 ft	1040 Lux 97 fc
10 m 32.8 ft	260 Lux 24 fc
15 m 49.2 ft	115 Lux 11 fc

*All photometric images are an illustrated representation only

DW 575 | DW 800 | Sets

DW 575 Open Face SET | 332-0040-X



Lamp base DW 575 (without reflector)	332-0107
Lamp 575 W MSR	633-5450
Reflector Open Face	741-0590
4-leaf barn door for Open Face reflector	741-0731
Diffusion filter	713-0496
Conversion filter 3200K	713-0497
Head cable 7.5 m 25 ft	742-0599
Electronic ballast unit EWB 400.575.800	742-0160-X
Carrying case	733-0209

DW 575 PAR SET | 332-0041-X



Lamp base DW 575 (without reflector)	332-0107
Lamp 575 W MSR	633-5450
Reflector PAR	741-0576
4-leaf barn door for PAR reflector	741-0731
Set of PAR lenses, 4 pieces (NSP, MFL, WFL, VWFL)	713-0527
Head cable 7.5 m 25 ft	742-0599
Electronic ballast unit EWB 400.575.800	742-0160-X
Carrying case	733-0209

DW 800 Open Face SET | 332-0042-X



Lamp base DW 800 (without reflector)	332-0108
Lamp 800 W CSR	633-7407
Reflector Open Face	741-0590
4-leaf barn door for Open Face reflector	741-0731
Diffusion filter	713-0496
Conversion filter 3200K	713-0497
Head cable 7.5 m 25 ft	742-0599
Electronic ballast unit EWB 400.575.800	742-0160-X
Carrying case	733-0209

DW 800 PAR SET | 332-0043-X



Lamp base DW 800 (without reflector)	332-0108
Lamp 800 W CSR	633-7407
Reflector PAR	741-0576
4-leaf barn door for PAR reflector	741-0731
Set of PAR lenses, 4 pieces (NSP, MFL, WFL, VWFL)	713-0527
Head cable 7.5 m 25 ft	742-0599
Electronic ballast unit EWB 400.575.800	742-0160-X
Carrying case	733-0209

kobold is a competent advisor in all applications where continuous light is needed. The kobold product range includes daylight and halogen fixtures as well as fluorescent lights. kobold products are designed to meet the demands and expectations of professional users in the TV, film and video, production and event market. Our high-quality products offer their user increased operational ease when realizing the challenges of daily work. The technological leadership is based on consequent alignment of our products with the changing market needs and trends. We consider new innovative product development as well as continuous enhancement and improvement of our product range as true commitments to our kobold customers.



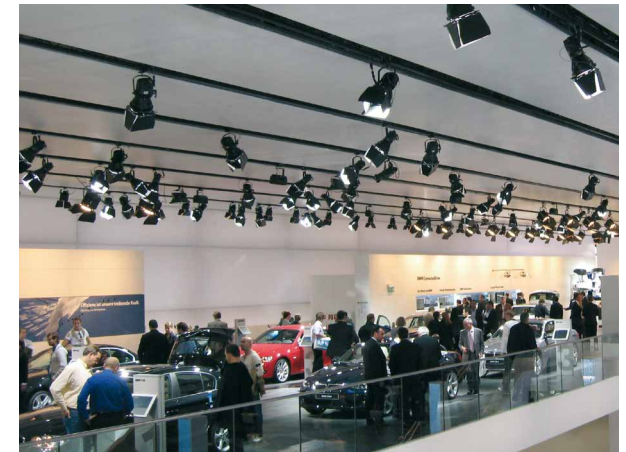
Production

The high output of up to 800 W makes the kobold fixtures an ideal tool for the film production industry.



Broadcast / ENG

Our customers in the area ENG (TV and video) appreciate the reliability of kobold products, particularly under extreme weather conditions.



Event

The perfect and high-quality light yield is really appreciated in the event area. That quality allows exhibitors to present their products in the very best light.

kobold

by bron

Bron Elektronik AG
CH-4123 Allschwil/Switzerland
www.bron-kobold.com